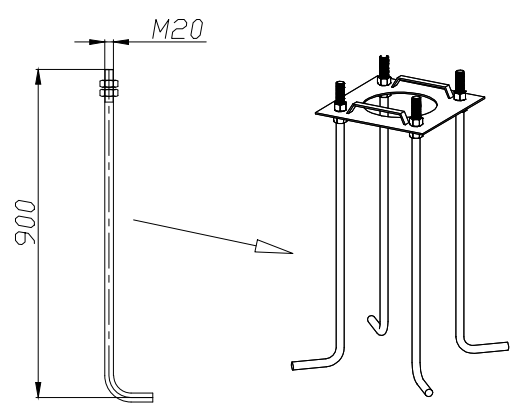
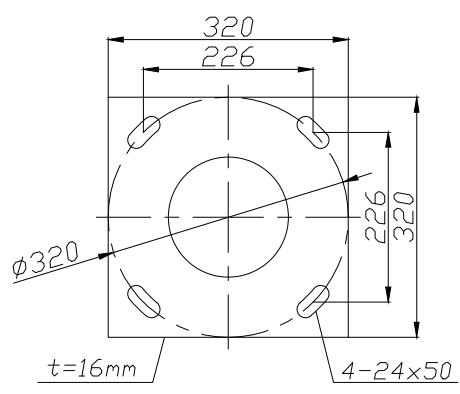


ANCHOR BOLTS  
4pcs



BACK PLANE



TECHNICAL REQUIREMENTS:  
1, ALL DIMENSIONS ARE IN MILIMETER  
2, THICKNESS OF GALVANIZED  $\geq 85\mu\text{m}$

PRODUCT NAME	10M 8 FLOOD LIGHT		
DESIGN		MATERIAL	Q235
APPROVAL		QUANTITY	
	02.15.19	WEIGHT	